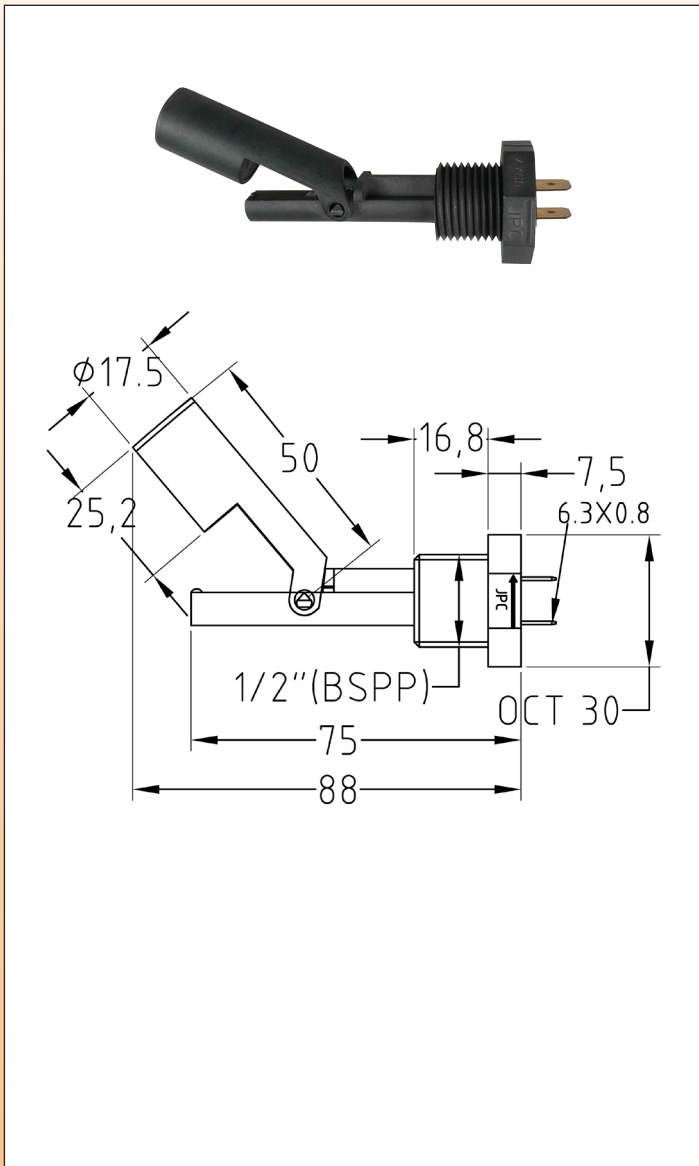


Horizontal mounting, reed switch contact, PBT stem, hollow PBT float, 6.35 x 0.8 QC terminals, 1/2" BSPP thread

Type DT

DIMENSIONS



MAIN FEATURES

Use: low voltage circuits

Main applications: steam generators, coffee machines, vending machines, air conditioning pumps, dehumidifiers, tanks. The side mounting allows to adjust the level on big size tanks.

Stem material: PBT

Float material: hollow PBT

Mounting: horizontal on 1/2" BSPP female fitting (flat NBR gasket supplied)

Contact configuration: It opens when the float touch the stem. Two positions are possible:

-The float is on the top of the stem: contact is normally open (the float touch the stem when there is no liquid), and will close when the level rises and the float goes up

-The float is pending downside under the stem: contact is normally closed (the float does not touch the stem) and will open when the level rises and the float goes up and touch the stem.

Electrical rating:

Low voltage type: maximum power 10 W (VA), max 0.5Amp, max voltage 110VAC.

230VAC type: max power 40 W (VA), max 1Amp Values for resistive circuit. For inductive or capacitive loads, a contact protection circuit must be used.

Contact resistance: 150mOhms maxi

Wires: two 6.35 x 0.8 mm quick connect terminals (to be incorporated inside appropriate ingress protected equipment)

Liquid limits: to be used with liquids chemically compatible with PBT, specific gravity higher than 0.9, dynamic viscosity higher than 0.5×10^{-4} Pa.s and lower than 10^{-2} Pa.s, without magnetic particles.

Ambient temperature: -20+80°C

Maximum pressure: 1 bar (15 PSI)

Option: electrical rating 70W, 1A, 250V

Electrical Rating	Reference
10VA (max 110VAC)	DTR0P207618G0021
40VA (max 230VAC)	DTR4P207618G0021